

Special Offer

Stealth Products

Tone Deflector

the hardware that takes you over the limits!



Headrest Tone Deflector

Only **£99+VAT**

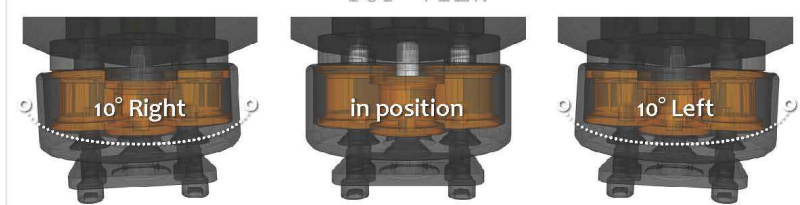
Up to 31 March 2010
(£125+VAT from 1 April)

10 DEGREES

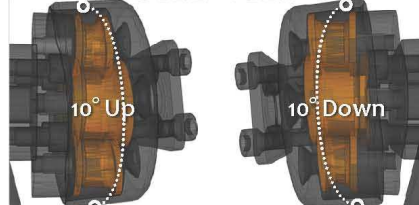


The new Tone Deflector offers a 10 degree deflection in any direction

TOP VIEW



SIDE VIEW



The new Head Rest Tone Deflector serves two main functions:

Absorb and Divert

This intuitive design absorbs quick impact compression and diverts angled loading. The Tone Deflector (TD) will be the premier addition for any high tone situation.

Available for any Stealth 4-screw single pad headrest!



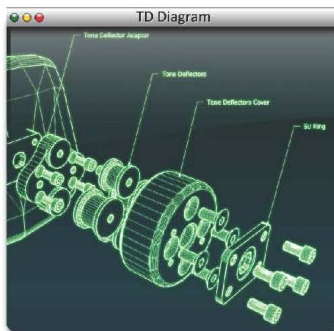
Back View
This receives the hardware mounted to the back



Front View
This piece mounts to the headrest



Easy Disassemble
Disassembled View



Assembling Guide

Four Easy Steps!

- A. When disassembled, mount the TD adaptor plate to the back of the headrest pad.
- B. Mount the Tone Deflectors to the TD adaptor Plate.
- C. Set the TD Cover to the deflectors.
- D. Finally, attach the steel SU Ring to the TD Cover.

BES REHAB LTD

Contact BES Rehab Ltd to place an order or request more information:

Tel: 0845 1300 237 Fax: 0845 1300 238
Email: info@besbiz.eu.com website: www.besbiz.eu.com
Address: 131 South Liberty Lane, Ashton Vale, Bristol, BS3 2SZ